



TDS技术数据表 Technical Data Sheet

NX-185G 鞍座胶 Saddle Adhesive

产品编号 Product Number	NX-185G	制表人 Data Sheet maker	涂苏青 Tu Suqing	制表日期 Date	2026年1月
------------------------	---------	-------------------------	------------------	--------------	---------

一、产品用途与特性 Product Usage and Characteristics

1. 本产品是耐热型的接枝胶。
This product is a heat-resistant graft adhesive.
2. 有很强的结晶度，适合做鞍座这类的产品。
It has a high degree of crystallinity, making it suitable for manufacturing saddle-related products

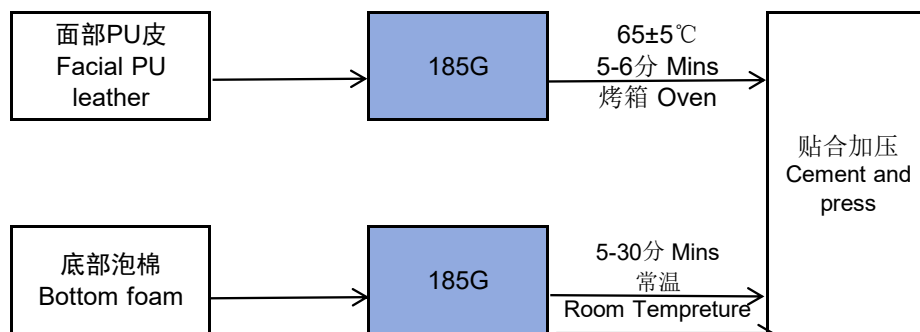
二、产品技术指标 Product Technical Indicators

产品型号 Production Number	NX-185G
外观 Appearance	黄褐色粘稠液体 Yellowish-brown viscous liquid
干燥条件 Drying conditions	常温 Room temperature
粘度 (25℃) Viscosity	400±100CPS
储存期 (5-35℃) Storage period	6个月 (5-35℃) 6 months

三、产品使用指引 Product Usage Guidelines

1. 本产品主要用于pvc贴泡棉。
This product is primarily used for bonding PVC to foam.
2. 倒入喷胶机储存罐，调试喷枪成雾状喷剂。
Pour into the storage tank of the glue sprayer, and adjust the spray gun to form a mist spray.
3. 常温下粘性维持时间30分钟以上。
Viscosity maintenance time at room temperature more than 30 minutes.
4. 不同材质选用不同喷胶，依实际情况测试为佳。
Different materials should choose different spray glue, which is better according to the actual situation.

四、使用流程 Application Process





TDS技术数据表 Technical Data Sheet

五、注意事项 Attention:

1. 准确辨别材质，选用适用的产品。

Accurately identify the material and choose the appropriate products.

2. 大量使用前先试胶确认。

Please do the adhesive trial SOP confirmation before mass production.

3. 储存于阴凉处，避免阳光直接辐射，适用温度5-35°C.

Store in a shade place, avoid direct sunlight, and keep at a temperature between 5–35°C.

4. 该物质内含易燃有机溶剂，远离火源、食品，贮存容器应密封。

This product contains flammable organic solvent. Keep away from fire and food, and ensure the storage container is tightly sealed.

5. 上述储存条件下，使用期限6个月，超过储存期，必须经过详细物理测试确认后方可使用。

Under the above storage conditions, the period is 6 months. Beyond the storage period, it can only be used after detailed physical test and confirmation.

6. 操作人员须佩戴个人防护用品。

Operators must wear personal protective equipment.

7. 详细资料请参照MSDS资料。

Please refer to MSDS for details.